

# ***COOLING & HEATING***

**WATER PUMP, PULEYS AND ANCILLARIES 2**

**RADIATOR AND FITTINGS 4**

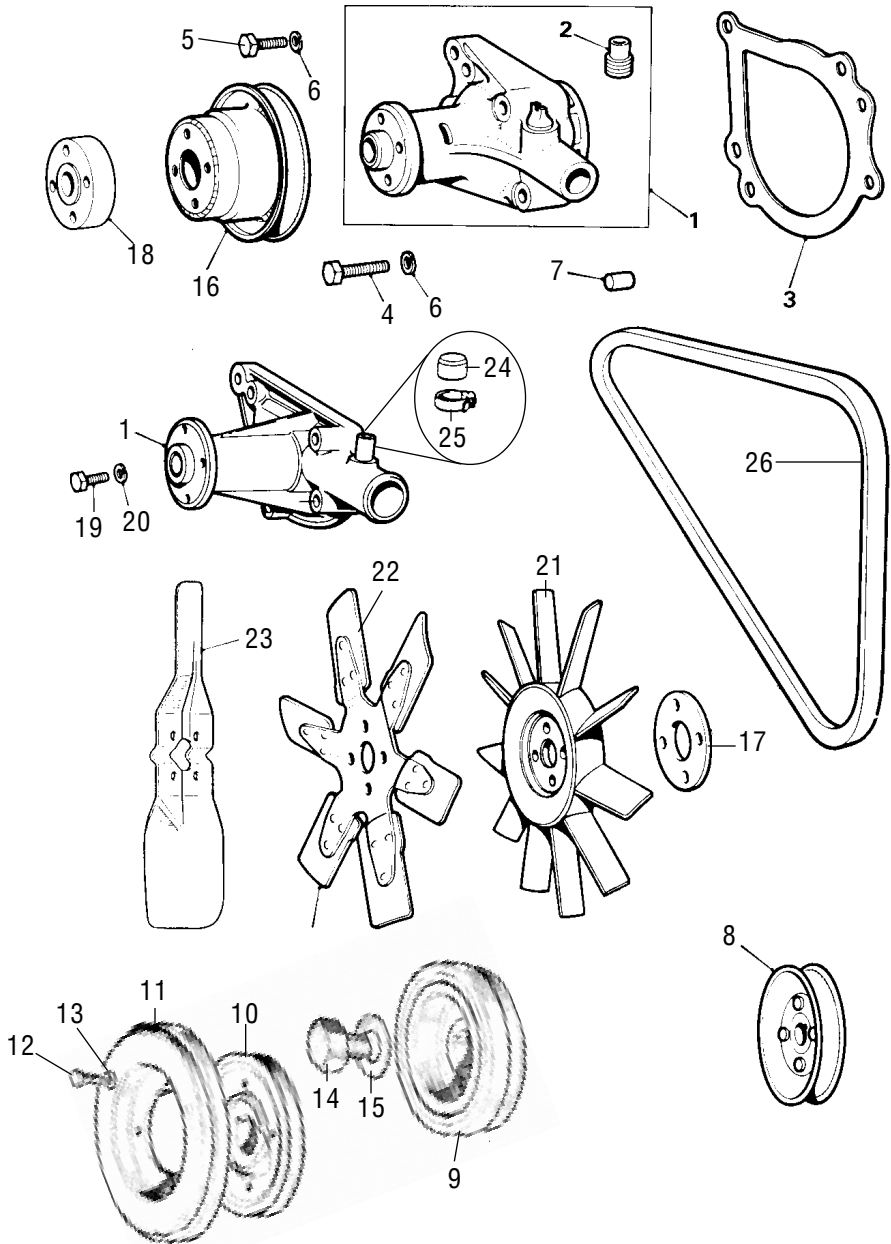
**RADIATOR HOSES 6**

**ELECTRIC FAN 1990-ON AND AFTERMARKET 8**

**WATER PUMP, PULLEYS AND ANCILLARIES 10**

**THROTTLE AND HEATER CABLES, HEATER VALVES, ETC. 12**

# Water Pump, Pulleys and Ancillaries

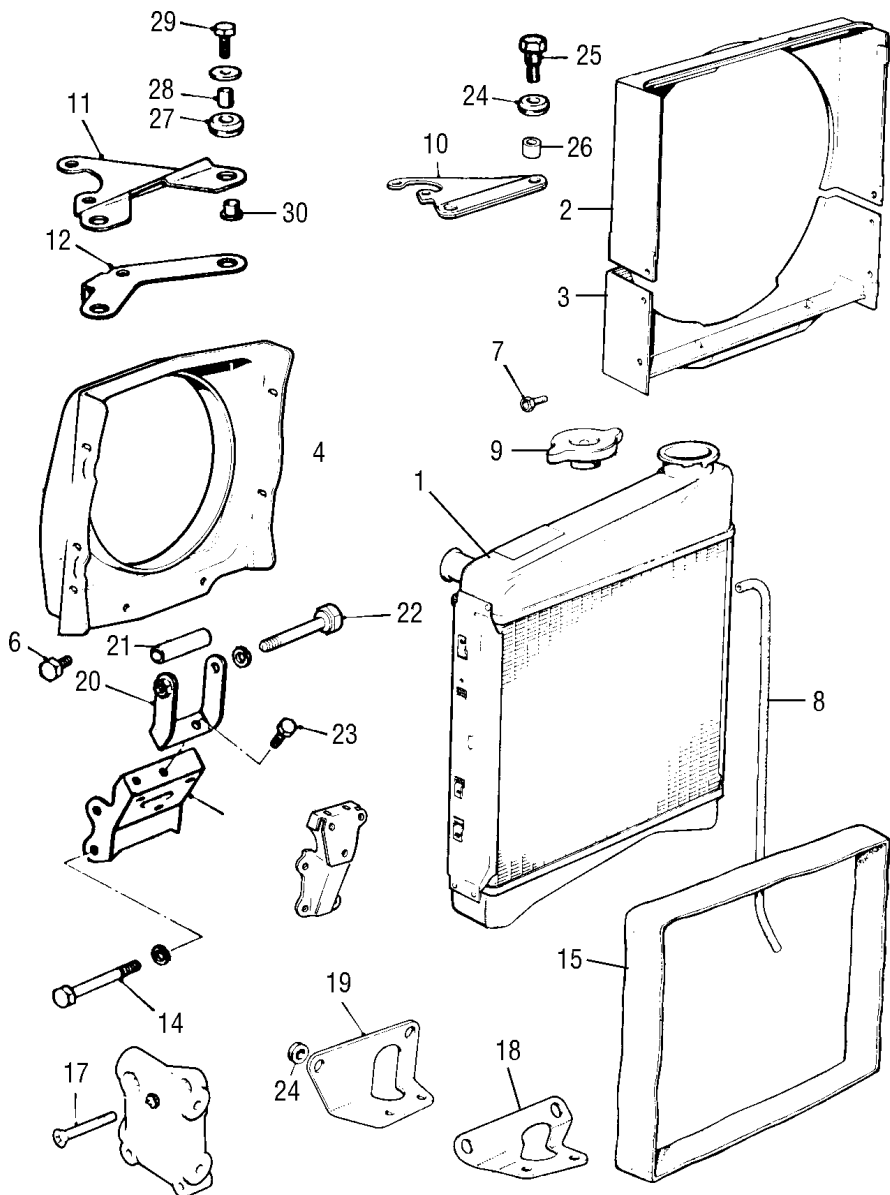


## WATER PUMP, PULLEYS AND ANCILLARIES

NO.	PART NO.	DESCRIPTION	QTY	REMARKS
1	10M294	Water pump, small impellor protruding - 0.3125" 7.90mm ...	1	Small Bore motors
1	GWP134	Water pump, large impellor protruding - 0.625" 15.75mm .....	1	1275cc Motors
1	GWP154	Water pump, no by pass outlet, but as per GWP134 .....	1	A plus 1300cc, Metro
2	88G618	Adaptor, cut to length required (now cast in pump) .....	1	
3	88G215	Water pump gasket .....	1	
4	HZS515	Bolt water pump to block long .....	2	Alternative TAM1180
5	SH605101	Bolt water pump to block short .....	2	Alternative TAM1178
6	GHF332	LWN305 washer .....	4	
7	12G2077	Dowel, water pump to block .....	2	
8	CAM6323	Crankshaft pulley was 2A940 .....	1	
8	CAM6497	Crankshaft pulley, A plus .....	1	With timing shutter plate
9	CAM4929	Crankshaft vibration damper pulley .....	1	NLA use AHU1878
9	AHU1878	Crankshaft vibration damper pulley - A plus .....	1	With timing shutter plate
10	AEG454	Steel pulley .....	1	Cooper S
11	12A367	Damper ring .....	1	Cooper S
12	SH605051	Bolt .....	4	
13	LWZ305	Washer .....	4	
14	AEA312	Crankshaft pulley bolt 0.75" thread length with chamfer .....	1	For CAM6323/AEG454
14	12A283	Crankshaft pulley bolt 0.875" thread length .....	1	For CAM4929
14	TAM2019	Crankshaft pulley bolt 0.75" thread length .....	1	All A plus
15	12A398	Crankshaft pulley locktab 0.875" hole, except TAM2019 .....	1	Up to TAM2019
15	TAM2020	Crankshaft pulley locktab 0.6875" hole .....	1	All A plus
16	CAM6239	Water pump pulley, was 2A601 (3.875" diameter) .....	1	To 1985 plus Turbo/Auto
16	CAM116	Water pump pulley 4.265" 1000cc with 940 head fitted .....	1	
16	CAM6408	Water pump pulley large (4.725" diameter) .....	1	1985 on
16	12A667	Water pump steel 4.57" .....	1	Cooper 'S' 1275cc
17	12A312	Distance piece fan to pulley .....	A/R	
18	12G2452	Distance spacer large .....	1	NLA
19	GHF101	Bolt was SH604041, fan blade to pump .....	4	
20	GHF331	Washer .....	4	
21	12G1305	Eleven blade narrow plastic fan, fins 1.100" wide at tip .....	1	1959-68 and 1991 on
21	12G2129	Eleven blade thick plastic fan, fins 1.500" wide at tip .....	1	Wide fins MK3 on
22	2A998	Six blade fan, metal .....	1	Hot climate
23	2A997	Single blade fan .....	2	Tuning part
24	CAM4126	Blanking plug cap .....	1	When required
25	GHC507	Clip, alternative clip 3H2963 .....	1	When required
26	9.5x825	Fan Belt, Short .....	1	
26	9.5x838	Fan Belt, Medium .....	1	
26	9.5x850	Fan Belt, Long .....	1	
26	9.5x864	Fan Belt, X-Long .....	1	

**5**

# RADIATOR AND FITTINGS

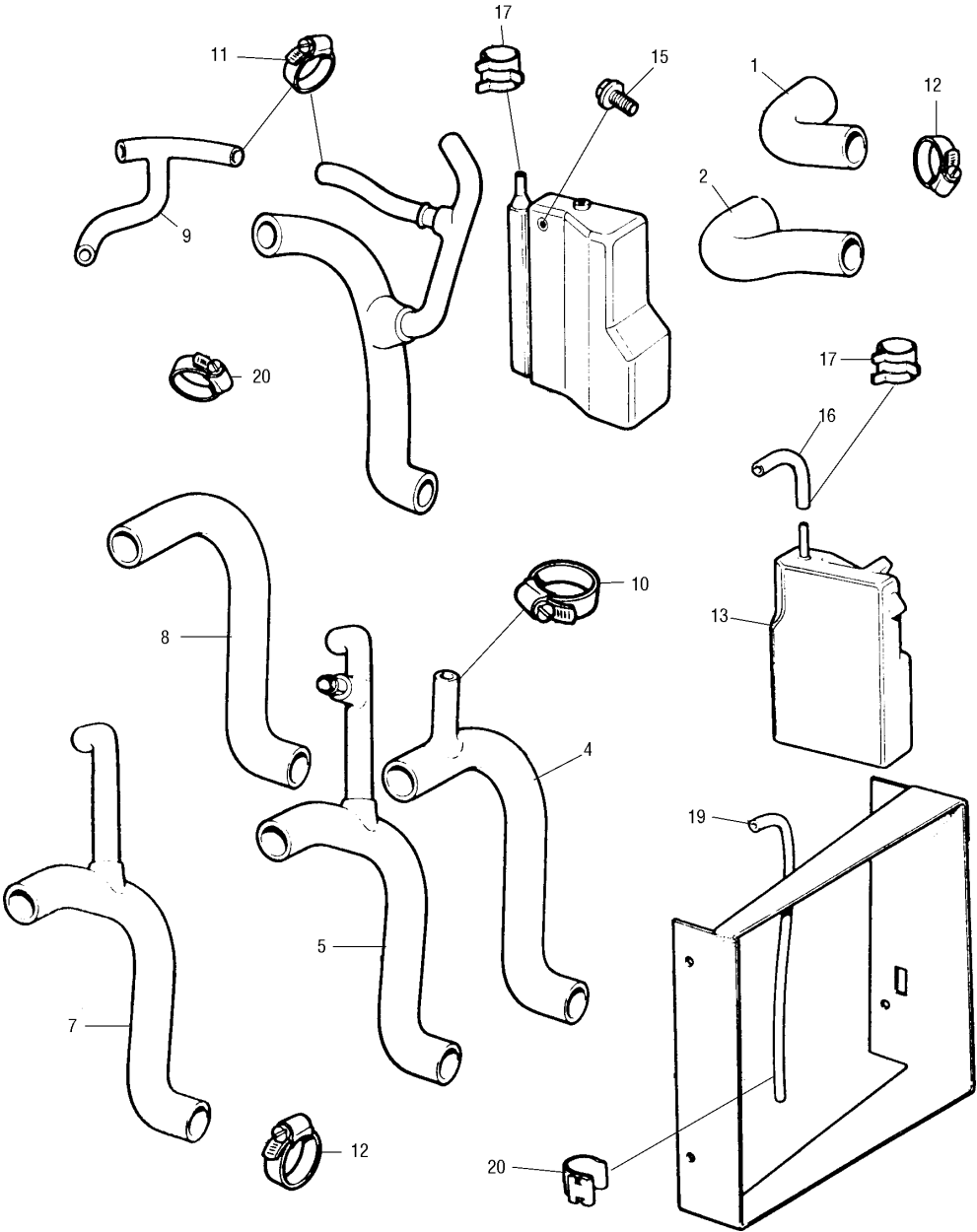


## RADIATOR AND FITTINGS

NO.	PART NO.	DESCRIPTION	QTY	REMARKS
1	ARC1106	Radiator (2 rows of cores) .....	1	Mini 850/1000
1	ARP2000	Radiator (3 rows of cores) .....	1	Standard
1	C-ARA4444	Radiator (4 rows of cores) for hot countries .....	1	Better cooling
1	C-ARA4442	Radiator (Special 2 row) for hot climates .....	1	Best Cooling
1	C-ARA4443	Radiator (Special 2 row) with thermostat switch recess in base	1	12A G03/4 May 1992 on
1	PCC10339B	Late radiator with thermostat switch recess in base .....	1	T.B.I.
1	ERA1159	Radiator (with take off for ERA1160 auxiliary radiator) .....	1	ERA Turbo
2	ARA2768	Top cowl, NLA .....	1	
3	ARA2769	Bottom cowl, except Cooper, NLA .....	1	
3	ARA2770	Bottom cowl .....	1	Cooper, Cooper 'S' only
4	ARP1068	One piece cowling 1974-on .....	1	Available used, U/ARP1068
6	SH604031	Radiator to cowl screws .....	A/R	1974 on
7	ARA1117	Original PK screw on early radiators, pre 1974 .....	A/R	Not for ARP2000
8	GRH1001M	Overflow pipe rubber .....	1	1 metre length only
9	GRC101	Radiator cap 7lb pressure .....	1	Long neck, standard
9	GRC102	Radiator cap 7lb pressure .....	1	Short neck
9	GRC105	Radiator cap 10lb pressure .....	1	Cooper
9	GRC110	Radiator cap 15lb pressure .....	1	All 1976 on
9	GRC111	Radiator cap 13lb pressure .....	1	All 'S' & Mini 1969-76
10	12A201	Top radiator bracket, CWE .....	1	850cc/998cc to 1974
10	12G617	Top radiator bracket .....	1	1275's
10	12G323	Top radiator bracket .....	1	970/1070cc
10	12G2453	Top radiator bracket, uses 11G227 grommet .....	1	1275GT
11	CAM4619	Top radiator bracket on one piece cowl .....	1	850/998cc, 1980 on
11	CAM4620	Top radiator bracket on one piece cowl .....	1	Clubman 998cc
11	CAM4621	Top radiator bracket on one piece cowl, use 12G2453 .....	1	1275GT
11	CAM4622	Top radiator bracket on one piece cowl .....	1	Mini 998/Sweden Canada
12	PCU10135	Top radiator bracket, uses 11G227/CAM4414 .....	1	New Coopers, 1300cc
12	ERA1186	Top radiator bracket .....	1	Turbo
13	12A361	Engine to radiator mounting bracket .....	1	Coopers and ARP1174 cowl
14	HBZ534	Long bolt for 12A361 bracket to gearbox .....	2	
15	14A7286	Radiator to body seal .....	1	Up to 1972
16	12G1318	Adaptor plate .....	1	
17	12G1319	Screw, for adaptor plate .....	1	
18	12A293	Split cowl lower radiator bracket, when 12A361 fitted .....	1	CWE, Coopers
19	22A29	Split cowl lower radiator bracket, when 22A30 fitted .....	1	CWE, 850/998cc Mini
19	12G2458	Split cowl lower radiator bracket, when 22A30 fitted .....	1	Clubman 998cc
19	12G3641	Split cowl lower radiator bracket, when 12A361 fitted .....	1	Clubman 998/1275GT
20	12A2153	Single cowl lower radiator bracket, when 12A361 .....	1	All 1974 on
21	ARP1073	Spacer for 12A2153 bracket .....	1	
22	12G4270	Bolt for cowl to bracket .....	1	
23	SH605051	Scew to bracket .....	2	
24	11G227	Upper and lower radiator grommet on 2 piece cowl .....	2/4	Plus top 1990 on
25	11G228	Original shouldered bolt .....	2	
25	GHF120	Plain bolt to go with 12A1985 when required .....	2	
26	12A1985	Sleeve only required with GHF120 to replace 11G228 .....	2	
27	CAM4414	Upper radiator bracket grommet with one piece cowl .....	2	1974 to 1990
28	CAM4415	Sleeve for CAM4415 grommet .....	2	1974 on
29	GHF117	Bolt when using CAM4415 sleeve .....	1	1974 on
30	CAM4618	Rubber locating bush .....	1	1974 to 1990

5

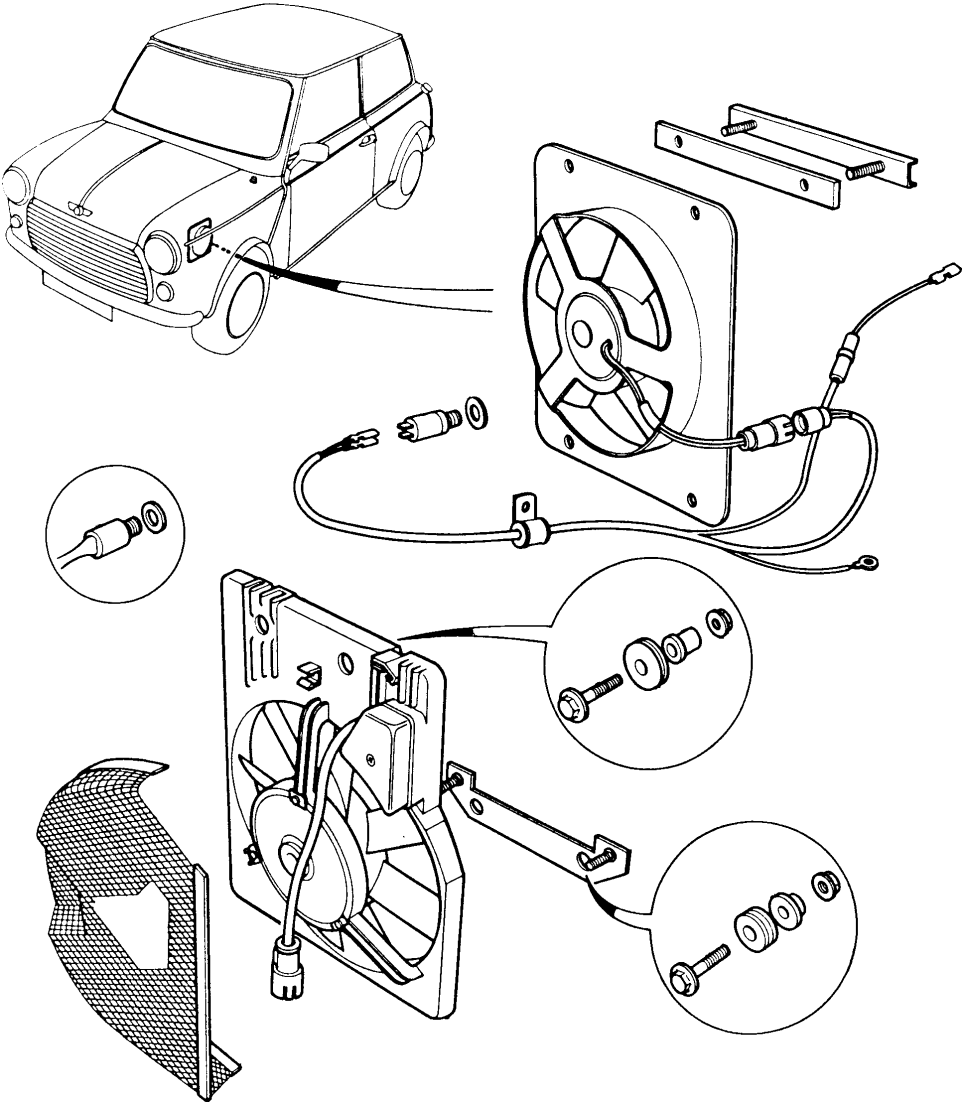
# RADIATOR HOSES



## RADIATOR HOSES

NO.	PART NO.	DESCRIPTION	QTY	REMARKS
1	GRH244	Top hose 850,1000cc .....	1	To 1967 MKI
1	GRH467	Top hose .....	1	998cc Clubman
2	GRH469	Top hose .....	1	ERA Turbo/1275GT
2	GRH247	Top hose .....	1	Cooper 'S'
2	GRH1140	Top hose .....	1	New Coopers and 1300cc
2	GRH1212	Top hose fuel injected from .....	1	Fuel injection TBI
4	GRH201	Bottom hose, water pump to radiator .....	1	MkI to 1967
4	GRH240	Bottom hose .....	1	1968-1989
5	GRH1139	Bottom hose, 1990 on .....	1	Cooper SE 1300cc
6	GRH1159	Bottom hose, 1990 on, G01 engine .....	1	HIF44 Cooper 1300cc
6	GRH1215	Bottom hose, V290000-046667 .....	1	TBI
6	GRH1242	Bottom hose, 1992 on .....	1	TBI
7	GRH1289	Bottom hose, V044495 on .....	1	Single carburettor
7	GRH1220	Bottom hose, V504671 on .....	1	1300cc 1982 on
8	RH917	Bottom hose when no heater fitted .....	1	
9	GRH1216	Thermostat to heater, manifold .....	1	TBI Fuel injection
10	GHC507	Clip, heater outlet on hose .....	1	Up to 1990
11	GHC608	Clip, heater outlet on hose .....	1	1990 on
12	GHC913	Top and bottom hose clip .....	4	
13	PCF10060	Expansion tank, fits between radiator and bulkhead .....	1	Cooper 1300cc
14	PCF10097	Expansion tank, sits on L/H front shock absorber bracket .....	1	From 1992 on
15	FS1016141	Bolt for expansion tank PCF10097 overflow .....	1	
16	GRH1213	Expansion tank hose .....	1	Cooper 1300cc only
17	UKC3803	Clip for hose .....	A/R	
18	KRD10009	Stoneguard .....	1	
19	GRH1001M	Radiator overflow hose .....	1	Per metre
20	ARA951	Clip for overflow hose .....	1	

# ELECTRIC FAN - 1990 ON AND AFTERMARKET



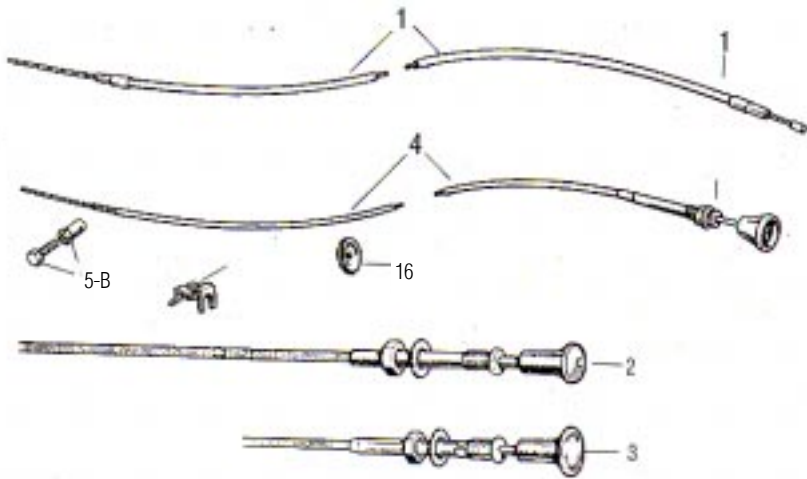


## ELECTRIC FAN 1990 ON

NO.	PART NO.	DESCRIPTION	QTY	REMARKS
	PGF10038	Fan and cowl assembly .....	1	Cooper S.E.
	PGU10006	Bracket .....	1	Cooper S.E.
	PYF10039	Insulation rubber .....	1	Cooper S.E.
	YWL10010	Thermostat switch with seal .....	1	Cooper S.E.
	PYF10040	Seal for thermostatic switch .....	1	Cooper S.E.
	YMV10069	Harness for fan .....	1	Cooper S.E.
	YMV10046	Electric fan .....	1	Cooper 1300cc
	PGL10008	Fan shield .....	1	Cooper 1300cc
	YWL10009	Thermal switch .....	1	Cooper 1300cc
	PYF10036	Washer for switch .....	1	Cooper 1300cc
	PGU10007	Fixing bracket .....	1	Cooper 1300cc
	11G227	Grommet .....	2	Cooper 1300cc
	PGG10058	Open fan and motor assembly, 1992 on .....	1	NOT SHOWN
	CDU1500	Thermostat switch in bottom of radiator .....	1	
	CDU2334	Seal for CDU1500 switch .....	1	
	KTP9002	Clip to hold thermostat switch .....	1	
	PVB10001	Grille mesh fitted to inner wing, when no electric fan .....	1	
	430-380	Electric Fan Kit, Universal, fit to earlier cars .....	1	Mini Mania kit
	250-103	Bracket kit for 430-380, required when mounting to rad. ....	1	

**5**

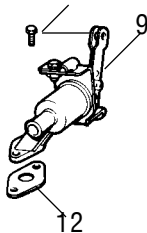
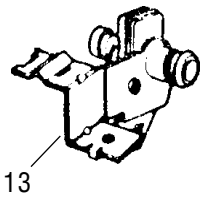
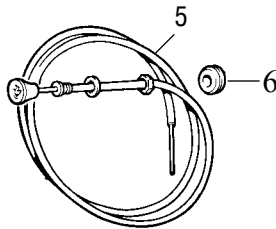
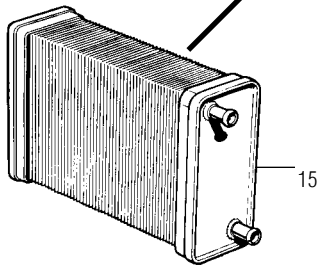
# CONTROL CABLES, HEATER VALVES, ETC.



○ 27H721 ○

○ 17H8608 ○

BAU5043



## CONTROL CABLES, HEATER VALVES AND HEATER RADIATORS

NO.	PART NO.	DESCRIPTION	QTY	REMARKS
1	NAM7914	Accelerator cable .....	1	Use with HIF Carbs
1	MTC309	Accelerator cable, std .....	1	Long
1	C-AHT85	Accelerator cable long nylon sleeved internally .....	1	
1	SBB10187	Accelerator cable .....	1	TBI only
1	NAM7914	Accelerator cable Cooper, HIF44 and HIF38 .....	1	
2	21A1202	Choke cable original Bakerlite type of knob .....	1	Single carb MKI/II
3	21A1204	Choke cable locking, original Bakerlite type of knob .....	1	Twin carb Cooper and 'S'
4	NAM6384	Choke cable, plastic knob, turn to lock .....	1	
4	SBF10027	Choke cable, 27" ratchet type locking .....	1	1987 on
4	SBF10031	Choke cable, 31" ratchet type locking .....	1	1300cc 1990 on
5	14A9988	Heater cable original Bakerlite type of knob .....	1	
5	24A2738	Heater cable plastic knob 29" .....	1	Mini
5	CHM373	Heater cable plastic knob 30" .....	1	Clubman or Mini
5	JFF10003	Heater cable with looped end, for latest valve .....	1	Non fixed valve
5-b	AUC5046	Trunion, heater cable connector .....	1	
6	CAM5969	Cable grommet through bulkhead .....	A/R	
7	CZK6491	Clip, choke cable to carburettor bracket ("HIF" Only) .....	2	
8	AUE34	Choke locking screw/nipple .....	1	
9	ADU9102	Heater valve was 88G601 .....	1	0.50" bore hose
10	53K1016	Heater valve cable screw .....	1	
11	12A479	Heater tap, brass with lever .....	1	Mini van
12	88G221	Heater valve/tap gasket .....	1	
13	JJB10007	Heater valve/non fixed 0.6250" bore hose .....	1	1990 on
14	12G2534	Heater hose take off on head 0.6250" .....	1	1990 on
15	17H8608	Heater radiator 0.5" outlet .....	1	MKI/II
15	37H7216	Heater radiator 0.5" outlet .....	1	MKIII to 1984
15	BAU5043	Heater radiator 0.625" outlet .....	1	1984 on
16	CZK6491	Clip, choke cable .....	1	Use with HIF carbs

**5**